

INSTALLATION INSTRUCTIONS AND SPECIFICATIONS

MODEL: 4W Outdoor Spot Light – 240V driver. – SL204

The Outdoor spotlight light is rated at IP67:
 6 - Completely protected against dust.
 7 - Protected against effects of temporary immersion in water.

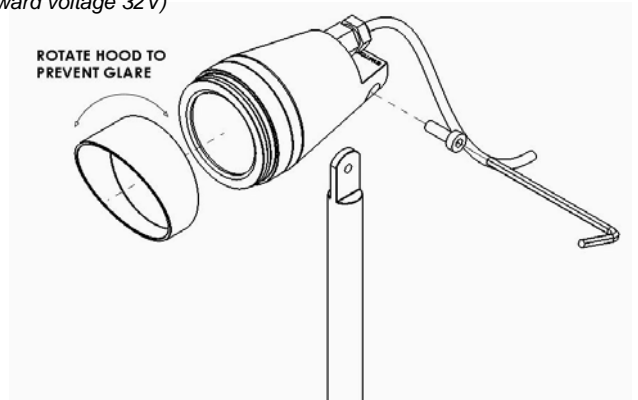
All cabling connections are required to be fully water proofed.

AUXILIARY EQUIPMENT:

Auxiliary equipment type: *LED Driver*
 Dimensions: H= 23.5mm, L= 99mm, W = 39mm
 Lamp type(s): *LED*
 Maximum lamp wattage: 350mA +/- 5% 1-8 LED's of 1.2W (max forward voltage 32V)

The 230V driver is not included

- Instructions to rotate hood**
1. Pull Hood off main body
 2. Rotate to desired position
 3. Push Hood back onto main body



IMPORTANT INFORMATION:

1. All 240V connections must be performed by a registered electrician
2. Switch off the LED driver if connected before installation
3. Connect the LED and driver as per Diagram A – the LED and driver will be permanently damaged if not wired correctly
4. Switch off the LED driver and wait 5 seconds before making any change in the secondary circuit. (eg replacing LED)
5. Never connect LED on both 350mA and 700mA driver outputs. Mini Lights to be connected to 350mA only.
6. Check if the LED units are current type, also check the maximum current. If incorrectly connected they can be damaged.
7. Never connect more LED than the maximum forward voltage or wattage of the driver.

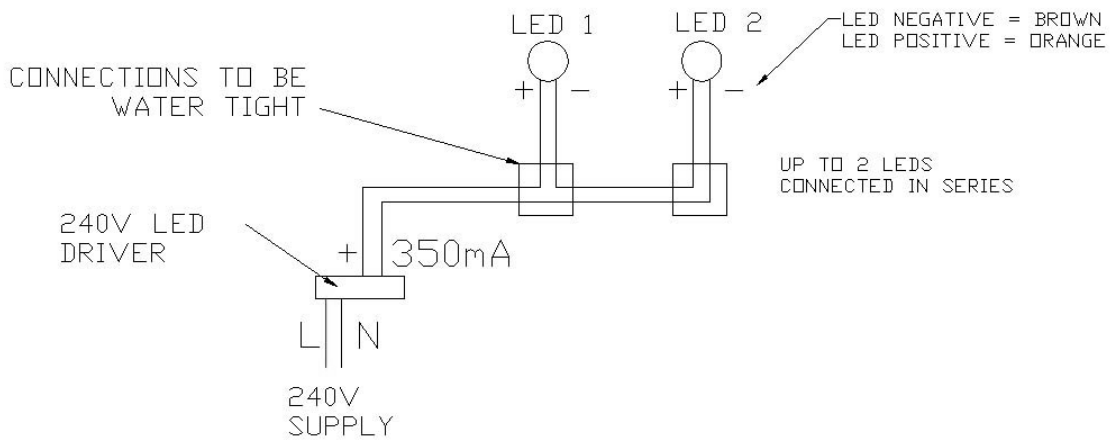


Diagram A