

D-LIGHTZ Fixed



SL112LG
ULG clear glass
Beam 20° 40° 60°

Task | General lighting

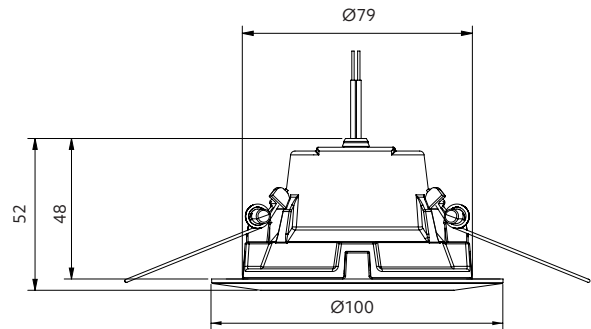


SL111LG
Prismatic diffuser
Beam 20° 40° 60°

General | Task lighting

D-LIGHTZ Fixed

- + compact size
- + recessed for low glare
- + suitable for indoor and exterior (soffits)
- + IP65 front



Beam control options

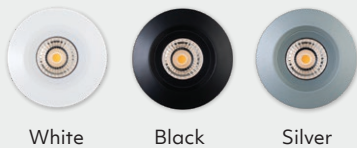
Beam angle



ULG clear glass
Prismatic

Other options

Trim colour



Pure colour options

CCT



CRI

Professional series (P) CRI 90 Art series (A) CRI 97

Driver

Phase cut dim (standard)
0-10V, 1-10V
DALI

Product information

(example: Prismatic, 40°, 3000K, CRI 90, phase cut driver)

Driver (mA)	Power (W)	Delivered lumens (lm)	Insulation coverable		
			NZ	AU	UK/EU
150	6.8	550	IC-F	IC-4	✓
220	9.2	800	IC-F	IC-4	✓
300	13.2	1000	CA135	IC-4	✓



**Specification is for ceiling material ≤ 13mm with a phase cut driver.

how to specify D-LIGHTZ Fixed

Please confirm model option availability from our website. Not every combination is compatible.

e.g. code = SL111LG-40-30-P-W

Model	Beam	CCT	CRI	Trim Colour	Driver - Phase cut*	Market
SL112LG = ULG clear glass SL111LG = Prismatic	20 = 20° 40 = 40° 60 = 60°	27 = 2700K 30 = 3000K 40 = 4000K SD = Sunset Dimming	P = 90 A = 97	W = White B = Black S = Silver	D09 = 150mA (6.8W) D12 = 220mA (9.2W) D12 = 300mA (13.2W) *Check online for driver options.	■ = NZ 1 = Aust 2 = UK 3 = EU

Please see www.switch-lighting.co.nz for full specifications, lux levels, SDoCs, ies files and installation instructions.



Warranty
7yr Luminaire
5yr Driver

L70 (60,000 h)

