

D-LIGHTZ *Offset Deep Tilt*



SLDL152T
ULG clear glass
Beam 20° 40° 60°

Task | General lighting



SLDL151T
Prismatic diffuser
Beam 20° 40° 60°

General | Task lighting

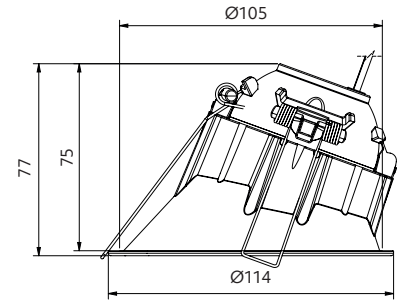


SLDL153T
Opaque diffuser
Beam 90°

Wide angle lighting

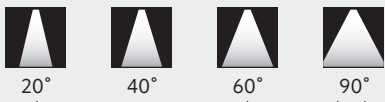
D-LIGHTZ *Offset Deep Tilt*

- + fully adjustable 360° gimbal
- + 20° offset, 15° tilt
- + suitable for indoor and exterior (soffits)
- + recessed for low glare
- + IP65 front



Beam control options

Beam angle

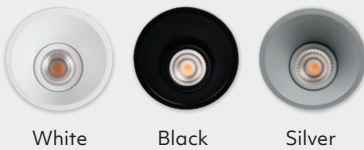


ULG clear glass
Prismatic

Opaque

Other options

Trim colour



Pure colour options

CCT



CRI

Professional series (P) CRI 90

Art series (A) CRI 97

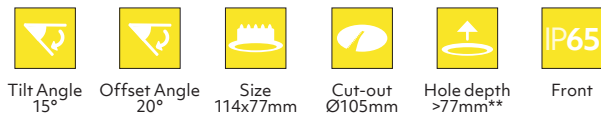
Driver

Phase cut dim (standard)
0-10V, 1-10V
DALI

Product information

(example: Prismatic, 40°, 3000K, CRI 90, phase cut driver)

Driver (mA)	Power (W)	Delivered lumens (lm)	Insulation coverable		
			NZ	AU	UK/EU
150	6.8	550	IC-F	IC-4	✓
220	9.2	800	IC-F	IC-4	✓
300	13.2	1000	CA135	CA90	✓



**Specification is for ceiling material ≤ 13mm with a phase cut driver.

how to specify D-LIGHTZ Offset Deep Tilt

Please confirm model option availability from our website. Not every combination is compatible.

e.g. code = SLDL151T-40-30-P-W

Model	Beam	CCT	CRI	Trim Colour	Driver - Phase cut*	Market
SLDL152T = ULG clear glass SLDL151T = Prismatic SLDL153T = Opaque	20 = 20° 40 = 40° 60 = 60° 90 = 90°	27 = 2700K 30 = 3000K 40 = 4000K SD = Sunset Dimming	P = 90 A = 97	W = White B = Black S = Silver	D09 = 150mA (6.8W) D12 = 220mA (9.2W) D12 = 300mA (13.2W) *Check online for driver options.	1 = NZ 2 = Aust 3 = EU

Please see www.switch-lighting.co.nz for full specifications, lux levels, SDoCs, ies files and installation instructions.



Warranty
7yr Luminaire
5yr Driver

L70 (60,000 h)

