

L05020 LEDlight 1-12VA 350/700mA

Features

The L05020 LEDlight 1-12VA 350/700mA is a LED Driver which supplies 350 or 700mA.

Specifications

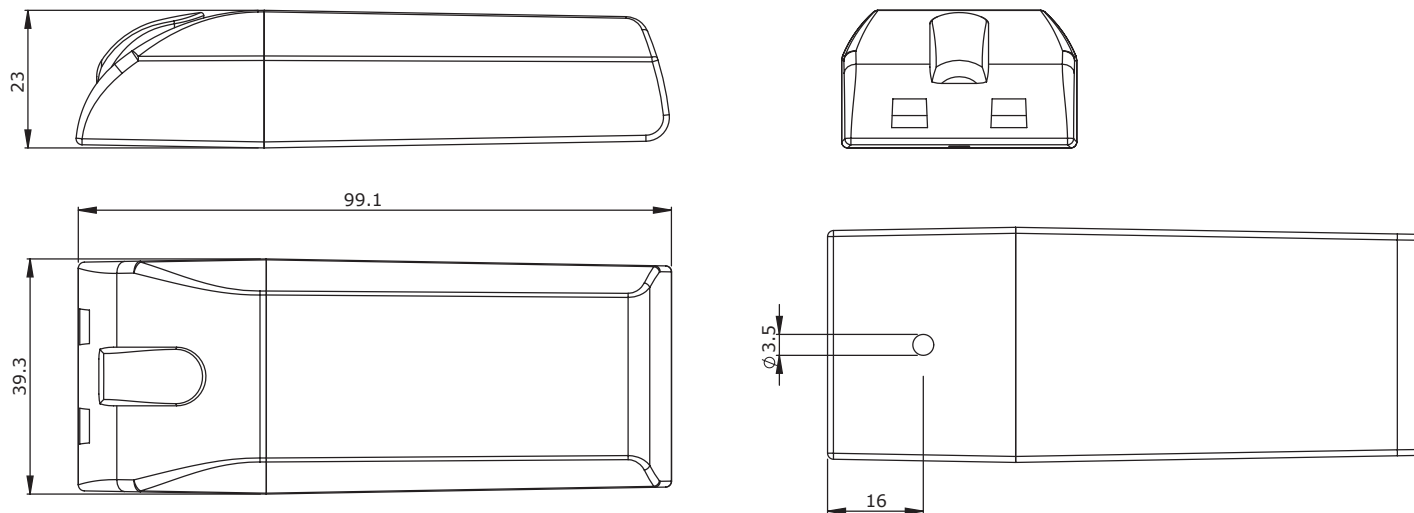
System input voltage nominal	110-240Vac	
System input frequency	50/60Hz	
System input power	14.6W	
Output current	350mA or 700mA	
Operating voltage output	Depending on the no. of LEDs, but 32V max. at 350mA and 15V at 700mA	
Driver efficiency	82%	
Power factor	0.9C	
Nominal line current	110V: 130 mA 240V: 64 mA	
Output power	1 Watt (min.) 12 Watt (max.)	
LED type	Current	
Number of LEDs	350 mA 1-9 LEDs of 1.2W in serie (max. forward voltage 32V)	700 mA 1-5 LEDs of 2.3W in serie (max. forward voltage 15V)
Dimmer type	None	
Open Circuit Voltage	32V	
Short circuit protection	Yes	
Open circuit protection	Yes	
Overvoltage protection	Yes	
Load voltage Setting Time (>90%)	0.5 sec	
Thermal protection	Yes, against overheating	
Output current overshoot	No	
Output Isolation	Yes Selv: Yes	
Circuit Lifetime	50.000hrs @ Ta 35° C	
Ambient Temperature range (Ta)	-20 +50° C	
Leads Primary	H05RN-F 1 mm ²	
Leads Secondary	0.25 mm ² – 1.0 mm ²	
Lead Connection Method	Clamp	
Mounting Method	Screw	
Weight	70 gram	
Case color	Grey	
Maximum Case temperature (Tc)	85° C	
Storage Temperature range	-20 +50° C	
Case dimensions (LxWxH)	99 x 39 x 23,5 mm	
Approvals	CE, KEMA KEUR, ENEC-05	
Complies with standards	EN 61547, EN 55015, EN 61000-3-2, EN 62384, EN 61347-2-13	



L05020 LEDlight 1-12VA 350/700mA

Technical drawing

Some technical drawings of this product are shown below.



Order

L05020 Ledlight 1-12VA 350/700mA L05020

Disclaimer

©2010, Lumotech Holland B.V. All rights reserved. Designs and specifications may change without prior notice.