

# E-LIGHTZ Mini



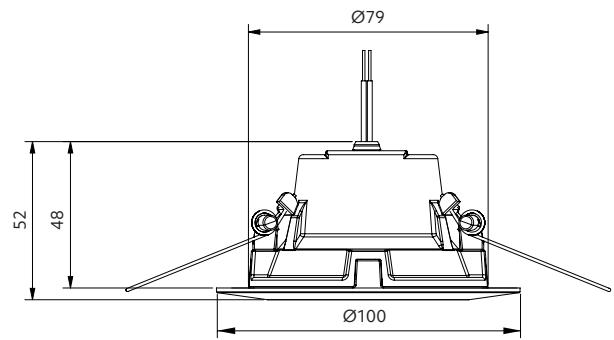
Wide angle lighting



SL35 | SL35LP | SL35SD  
Opaque diffuser  
Beam 100°

# E-LIGHTZ Mini

- + trim matches D-LIGHTZ Tilt and Fixed
- + low power option
- + suitable for indoor and exterior (soffits)
- + IP65 front



## Beam control options

### Beam angle



100°

### Diffuser

Opaque

## Other options

### Trim colour



White



Black



Silver

## Pure colour options

### CCT



2700K



3000K



4000K



Sunset  
Dimming  
2200-3000K

### CRI

Professional series (P) CRI 90

### Driver

Phase cut dim (standard)  
0-10V, 1-10V  
DALI

## Product information

(example: 3000K, CRI 90)

Driver (mA)	Power (W)	Delivered lumens (lm)	Insulation coverable		
			NZ	AU	UK/EU
150	6.8	550	IC-F	IC-4	✓
220	9.2	780	IC-F	IC-4	✓



Size  
100x48mm



Cut-out  
Ø83-92mm



Hole depth  
>50mm\*\*



Front

\*\*Specification is for ceiling material ≤ 13mm.

## how to specify E-LIGHTZ Mini

Please confirm model option availability from our website. Not every combination is compatible.

e.g. code = SL35-30-P-W

Model	CCT	Version	CRI	Trim Colour	Market
SL35	27 = 2700K 30 = 3000K 40 = 4000K SD = Sunset Dimming*	<div style="display: inline-block; width: 10px; height: 10px; background-color: green; border: 1px solid black;"></div> = Standard power LP = Low power	P = 90	W = White B = Black S = Silver	<div style="display: inline-block; width: 10px; height: 10px; background-color: green; border: 1px solid black;"></div> = NZ 1 = Aust 2 = UK 3 = EU

\*Check online for driver options.

Please see [www.switch-lighting.co.nz](http://www.switch-lighting.co.nz) for full specifications, lux levels, SDoCs, ies files and installation instructions.



Warranty  
7yr Luminaire  
5yr Driver

L70 (60,000 h)

