

# M-LIGHTZ Cabinet



SL901



Natural Anodise  
Aluminium



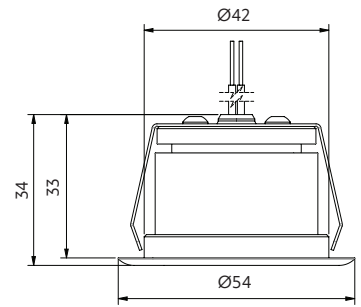
Black Anodise  
Aluminium



White  
(interior use only)

# M-LIGHTZ Cabinet

- + constant current
- + use for wardrobes
- + use for kitchen cabinets
- + IP67 front



## Beam control options

### Beam angle



45°

## Other options

### Trim colour



Natural Anodise



Black Anodise



White

## Pure colour options

### CCT



2700K



3000K



4000K

### CRI

Professional series (P) CRI 90

### Power supply – constant current

500mA dimmable - included.

## Product information

(example: 3000K)

Model	System power (W)	Luminaire power (W)	Forward voltage ((V)	Delivered lumens (lm)	Insulation coverable		
					NZ	AU	UK/EU
SL901	6.25	5	9.5	400	IC-F	IC-4	✓



Size 54X53mm



Cut-out Ø44-46mm



Hole depth >40mm



Front

## how to specify M-LIGHTZ Cabinet

Please confirm model option availability from our website.

e.g. code = SL901-45-30-P-N

Model	Beam	CCT	CRI	Trim Colour	Market
SL901	45 = 45°	27 = 2700K 30 = 3000K 40 = 4000K	P = 90	N = Natural B = Black W = White	1 = NZ 1 = Aust 2 = UK 3 = EU

Please see [www.switch-lighting.co.nz](http://www.switch-lighting.co.nz) for full specifications, lux levels, SDoCs, ies files and installation instructions.



Warranty  
5 Years

L70 (50,000 h)



PURE COLOUR  
HIGH CRI DOWNLIGHTS

