

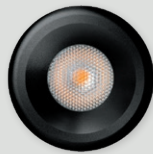
M-LIGHTZ



Constant current
SL900
Constant voltage
SL910



Natural Anodise
Aluminium



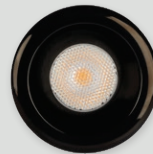
Black Anodise
Aluminium



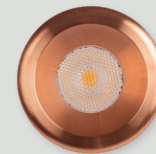
White (interior use only)



316 Stainless Steel



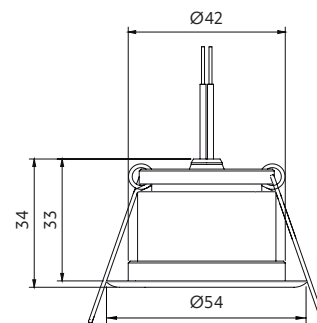
316 Stainless Steel
Black



Copper

M-LIGHTZ

- + constant voltage / constant current options
- + narrow beam angles
- + use outdoors under soffits / deck lighting
- + use indoors for feature lighting
- + IP67



Beam control options

Beam angle



Other options

Trim colour



Pure colour options

CCT



CRI

Professional series (P) CRI 90

Power supply

SL900 M-LIGHTZ – constant current

white | natural | black - 500mA dimmable.

SS | stainless black | copper - 350mA non-dimming.

SL910 M-LIGHTZ – constant voltage

requires a power supply with 12 or 24VDC output.

Ordered separately.

Q4-12V-20W (IP20) 1-3 lights in parallel

SLDV-12V-40W (IP67) 1-6 lights in parallel

Please refer online for cable size requirements (voltage drop)

Product information

(example: 3000K)

Model	System power (W)	Luminaire power (W)	Forward voltage (V)	Delivered lumens (lm)	Insulation coverable		
					NZ	AU	UK/EU
SL900 white/natural/black	6.25	5	9.5	400	IC-F	IC-4	✓
SL900 SS/SS black/copper	4.4	3.5	9.5	290	IC-F	IC-4	✓
SL910 white/natural/black	N/A	4.2	11-30	320	IC-F	IC-4	✓
SL910 SS/SS black/copper	N/A	3.6	11-30	270	IC-F	IC-4	✓



Size
54x33mm



Cut-out
Ø44-46mm



Hole depth
>40mm



SL900
Front



SL910
Front & rear

how to specify M-LIGHTZ

Please confirm model option availability from our website. Note: SL910 power supply is ordered separately.

e.g. code = SL900-45-30-P-N

Model	Beam	CCT	CRI	Trim Colour	Market
SL900	22 = 22°	27 = 2700K	P = 90	N = Natural	■ = NZ
SL910	38 = 38°	30 = 3000K		B = Black	1 = Aust
	45 = 45°	40 = 4000K		W = White (interior use only)	2 = UK
				SS = 316 Stainless steel	3 = EU
				SB = 316 Stainless steel black	
				C = Copper	

Please see www.switch-lighting.co.nz for full specifications, lux levels, SDoCs, ies files and installation instructions.



Warranty
5 Years

L70 (50,000h)



PURE COLOUR
HIGH CRI DOWNLIGHTS

