

L05021 LEDlight 1-12VA Minidim

Features

The L05021 LEDlight 1-12VA MINIDIM is a LED Driver which supplies 350 or 700mA.
The 350mA channel can drive 1 to 9 LEDs of 1.2W. The 700mA channel can drive 1 to 4 LEDs of 2.5 or 3W.

Specifications

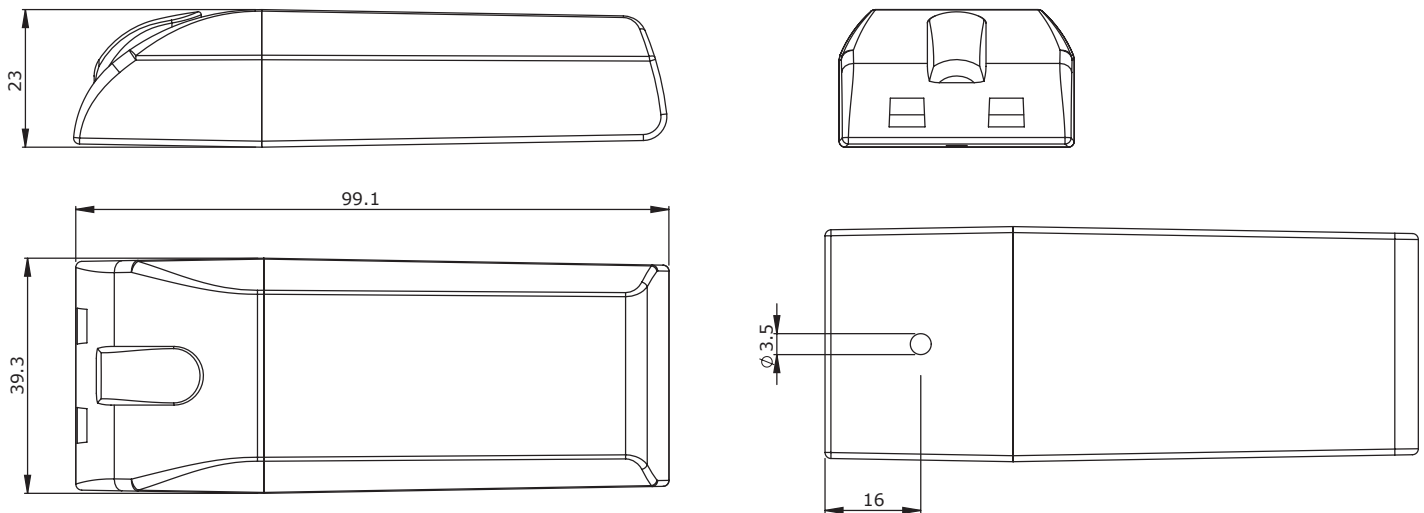
System input voltage nominal	230-240V	
System input frequency	50Hz	
System input power	15W	
Output current	350mA or 700mA	
Operating voltage output	Depending on the no. of LEDs, but 32V max.	
Driver efficiency	70%	
Power factor	0.9C	
Nominal line current	0.070 A ^{eff}	
Output power	1 Watt (min.) 12 Watt (max.)	
LED type	Current	
Number of LEDs	350 mA	700 mA
	1-9 LEDs of 1.2W in serie (max. forward voltage 32V)	1-4 LEDs of 2.5/3W in serie (max. forward voltage 18V)
Dimmer type	Trailing edge	
Load Operating Frequency	100 Hz	
Open Circuit Voltage	32V	
Short circuit protection	Yes	
Open circuit protection	Yes	
Overvoltage protection	Yes	
Load voltage Setting Time (>90%)	1 second	
Thermal protection	Yes, against overheating	
Output current overshoot	1,2A max. Peak value (0.93A RMS)	
Output Isolation	Yes SELV	
Circuit Lifetime	50.000 hrs @ Ta 35°C	
Ambient Temperature range (Ta)	-20 +45°C	
Leads Primary	H05RN-F 1 mm ²	
Leads Secondary	0.25 mm ² – 1.0 mm ²	
Lead Connection Method	Clamp	
Mounting Method	Screw	
Weight	70 gram	
Case color	Grey / Blue	
Maximum Case temperature (Tc)	85°C	
Storage Temperature range	-20 +50°C	
Case dimensions (LxWxH)	99 x 39 x 23,5 mm	
Approvals	CE, ENEC-05	
Complies with standards	EN 61547, EN 55015, EN 61000-3-2, EN 62384, EN 61347-2-13	



L05021 LEDlight 1-12VA Minidim

Technical drawing

Some technical drawings of this product are shown below.



Order

L05021 Ledlight 1-12VA Minidim L05021

Disclaimer

©2010, Lumotech Holland B.V. All rights reserved. Designs and specifications may change without prior notice.