

# Spot-LIGHTZ



SL224 - surface mount  
SL234 - spike mount



Natural Anodise

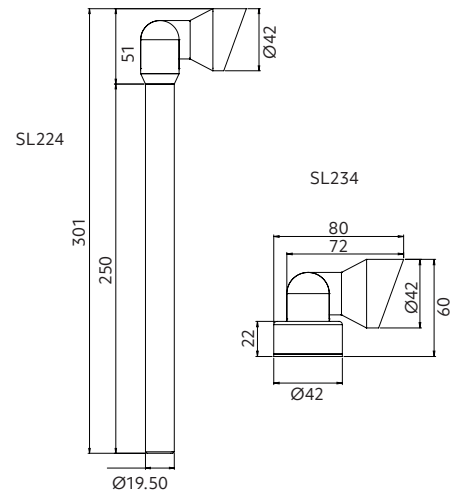
Black Anodise

Copper

Stainless Steel

# Spot-LIGHTZ

- + adjustable head
- + constant voltage
- + gardens / features / walkways / decks
- + IP67



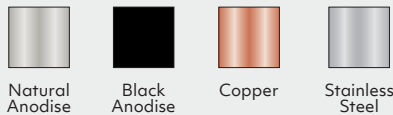
## Beam control options

### Beam angle



## Other options

### Trim colour



### Use with

Waterproof cable connectors (page 75)

## Light colour options

### CCT



### CRI

80 (2700K/3000K/4000K)

### Power supply

SL224 / SL234 Spot-LIGHTZ (constant voltage) require a power supply with 12 or 24VDC output (2700K, 3000K, 4000K, red, amber)

SL224 / SL234 Spot-LIGHTZ (constant voltage) require a power supply with 24VDC output (green, blue)

Ordered separately.

Q4-12V-20W (IP20) 1-3 lights in parallel

SLDV-12V-40W (IP67) 1-6 lights in parallel

SLDV-12V-75W (IP67) 1-6 lights in parallel

Other drivers available.

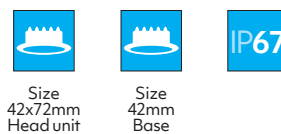
Please refer online for cable size requirements (voltage drop)

## Product information

(example: 3000K)

Power supply (VDC)	Luminaire power (W)	Delivered lumens (lm)
12	5.3 (440mA)	415
24	5.3 (220mA)	415

### SL224 Surface mount



### SL234 Spike mount



## how to specify Spot-LIGHTZ

Please confirm model option availability from our website. Note: power supply is ordered separately.

e.g. code = SL224-40-27-N

Model	Beam	CCT	Trim Colour	Market
SL224 = Surface mount SL234 = Spike mount	15 = 15° 40 = 40°	27 = 2700K 30 = 3000K 40 = 4000K R = Red G = Green B = Blue A = Amber	N = Natural anodise B = Black anodise C = Copper SS = Stainless steel	N = NZ 1 = Aust 2 = UK 3 = EU

Please see [www.switch-lighting.co.nz](http://www.switch-lighting.co.nz) for full specifications, lux levels, SDoCs, ies files and installation instructions.



Warranty  
5 Years

L70 (36,000 h)

