

Spot-LIGHTZ 4W



SL204 - surface mount
SL214 - spike mount

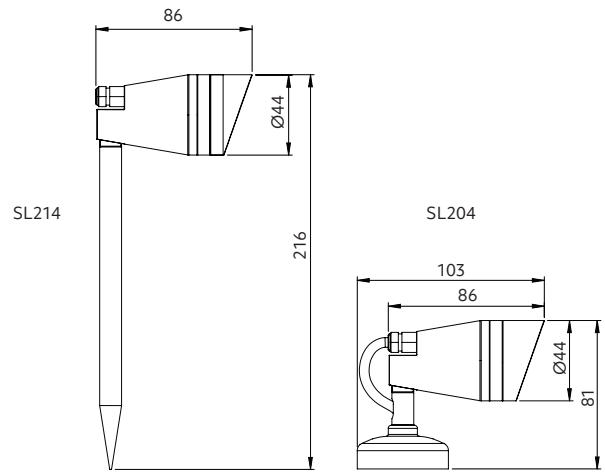


Natural Anodise

Black Anodise

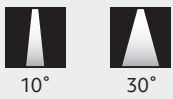
Spot-LIGHTZ 4W

- + adjustable head
- + constant current
- + gardens / features / walkways / decks
- + IP67



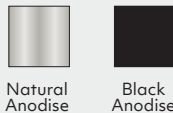
Beam control options

Beam angle



Other options

Trim colour



CCT options

CCT



CRI

80

Power supply

350mA drivers ordered separately.
 Mini 350mA 1 light non-dimming
 L05020 1-2 lights non-dimming
 L05021 1-2 lights dimming
 Other drivers available.

Use with

LED protector (page 74) to protect from power and wiring hazards
 Waterproof cable connectors (page 75)

Product information

(example: 3000K)

Luminaire power (W)	Delivered lumens (lm)	Forward voltage (V)
4.1	280	12V only use constant current 350mA power supply

SL204 Surface mount



Size
44x86mm
Head unit



Size
50mm
Base



SL214 Spike mount



Size
44x86mm
Head unit



Size
12x218mm
Spike length



how to specify Spot-LIGHTZ 4W

Please confirm model option availability from our website. Note: driver is ordered separately.

e.g. code = SL204-30-27-N

Model	Beam	CCT	Trim Colour	Market
SL204 = Surface mount SL214 = Spike mount	10 = 10° 30 = 30°	27 = 2700K 30 = 3000K	N = Natural anodise B = Black anodise	N = NZ 1 = Aust 2 = UK 3 = EU

Please see www.switch-lighting.co.nz for full specifications, lux levels, SDoCs, ies files and installation instructions.



Warranty
5 Years

L70 (36,000 h)

