

enhancing environments through lighting

ZELA Deep Fixed

delivering optical clarity and beam control in beautiful forms

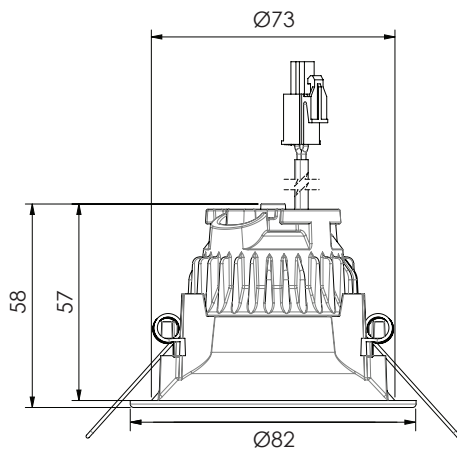
The light from ZELA luminaires reveal natural colours that are not over or under saturated, improving your sense of depth, contouring and 3-dimensionality.





ZELA luminaires have very even light distribution across all beam angles, and restrained, soft, feathered edges with minimal light spill.

The ZELA range comprises 8 luminaire designs each with options of 9°, 15°, 20°, 40°, 55° and 90° beam angles. These are all available in 2700K, 3000K and 4000K; most beam angles are also available in 2400K. 40° and 55° beam angles are also available in sunset dimming (3000K-1850K).



SLDL221F



- 
Size
82x57mm
 - 
Cut-out
73mm
 - 
Min hole depth*
67mm
 - 
IP65
(front face)
- *Specification is for ceiling material ≤ 13mm.

Diffuser options:



SLDL224F
Lens diffuser
Beam 9° 15° 20°
Spot lighting



SLDL221F
Prismatic diffuser
Beam 40° 55°
General lighting



SLDL220F
Clear glass
Beam 40° 55°
Task lighting



SLDL223F
Opaque diffuser
Beam 90°
Wide angle lighting

CCT options:

2400K 2700K 3000K 4000K
2400K is available in 20°, 40°, 55° and 90°.

Sunset dimming 3000K-1850K
Sunset dimming is available in 40° and 55°.

Trim options:



Textured white



Textured black





ZELA look-up table

CCT	Driver Power*		SLDL224F				SLDL221F				SLDL220F				SLDL223F			
			9° Lens		15° Lens		20° Lens		40° Prismatic		55° Prismatic		40° Clear		55° Clear		90° Opaque	
			CRI	Lm	CRI	Lm	CRI	Lm	CRI	Lm	CRI	Lm	CRI	Lm	CRI	Lm	CRI	Lm
2400K	4.3W / 100mA	ICF	-	-	-	-	90	350	90	370	90	360	90	370	90	360	90	270
	6.4W / 150mA	ICF	-	-	-	-	90	490	90	520	90	520	90	520	90	520	90	390
	7.7W / 180mA	ICF	-	-	-	-	90	570	90	610	90	600	90	610	90	600	90	450
	9.4W / 220mA	CA135	-	-	-	-	90	670	90	710	90	700	90	710	90	700	90	530
	11.1W / 260mA	Do not cover	-	-	-	-	90	760	90	810	90	800	90	810	90	800	90	600
2700K	4.3W / 100mA	ICF	97	280	90	290	97	340	97	360	97	350	97	360	97	350	97	270
	6.4W / 150mA	ICF	97	390	90	410	97	480	97	510	97	500	97	510	97	500	97	420
	7.7W / 180mA	ICF	97	460	90	480	97	560	97	590	97	580	97	590	97	580	97	440
	9.4W / 220mA	CA135	-	-	90	560	97	650	97	690	97	680	97	690	97	680	97	520
	11.1W / 260mA	Do not cover	-	-	90	640	97	740	97	790	97	770	97	790	97	770	97	590
3000K	4.3W / 100mA	ICF	97	290	90	300	97	350	97	370	97	370	97	370	97	370	97	280
	6.4W / 150mA	ICF	97	410	90	430	97	500	97	530	97	520	97	530	97	520	97	400
	7.7W / 180mA	ICF	97	470	90	500	97	580	97	620	97	610	97	620	97	610	97	460
	9.4W / 220mA	CA135	-	-	90	590	97	680	97	720	97	710	97	720	97	710	97	540
	11.1W / 260mA	Do not cover	-	-	90	660	97	770	97	820	97	810	97	820	97	810	97	610
4000K	4.3W / 100mA	ICF	97	300	90	320	97	370	97	390	97	380	97	390	97	380	97	290
	6.4W / 150mA	ICF	97	430	90	450	97	520	97	560	97	550	97	560	97	550	97	420
	7.7W / 180mA	ICF	97	500	90	520	97	610	97	650	97	640	97	650	97	640	97	480
	9.4W / 220mA	CA135	-	-	90	620	97	710	97	760	97	750	97	760	97	750	97	570
	11.1W / 260mA	Do not cover	-	-	90	700	97	810	97	860	97	850	97	860	97	850	97	640
Sunset Dimming 3000K-1850K	6.4W / 150mA	ICF	-	-	-	-	-	-	90	460	90	450	90	460	90	450	-	-
	7.7W / 180mA	ICF	-	-	-	-	-	-	90	530	90	520	90	530	90	520	-	-
	9.4W / 220mA	CA135	-	-	-	-	-	-	90	630	90	610	90	630	90	610	-	-
	11.1W / 260mA	Do not cover	-	-	-	-	-	-	90	710	90	690	90	710	90	690	-	-

*Watts quoted are for 20°-90° beam angles. Please check ies files at www.switch-lighting.co.nz for specific model watts for 9° and 15° beam angles.

Typically used for general lighting.

Contact Switch Lighting for all other output and driver options.
 All ZELA luminaires are suitable for interior use only.
 Please visit www.switch-lighting.co.nz for our Lux calculator.

Colour rendition:

Art series: 97 CRI | TM-30-15 R_f-95 | TM-30-15 R_g-101
 Professional series: 90 CRI | TM-30-15 R_f-90 | TM-30-15 R_g-101

how to specify ZELA Deep Fixed

Please confirm model option availability from table above. Not every combination is compatible.

e.g. code = SLDL221F-5530P-TWD15

Model	Beam	CCT	CRI Pure Colour Series	Trim Colour	Driver	Market
SLDL224F = Lens SLDL221F = Prismatic SLDL220F = Clear glass SLDL223F = Opaque	09 = 9° 15 = 15° 20 = 20° 40 = 40° 55 = 55° 90 = 90°	24 = 2400K 27 = 2700K 30 = 3000K 40 = 4000K SD = Sunset Dimming	P = Professional (90 CRI) A = Art (97CRI)	TW = Textured white TB = Textured black	D08 = SL102D (100mA, 4.3W) D09 = SL152D (150mA, 6.4W) D15 = SL182D (180mA, 7.7W) D10 = SL222D (220mA, 9.4W) D11 = SL262D (260mA, 11.1W)	○ = NZ 1 = Aust

