

enhancing environments through lighting

## ZELA Deep Tilt

### delivering optical clarity and beam control in beautiful forms

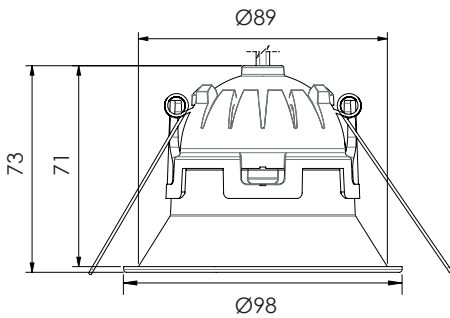
The light from ZELA luminaires reveal natural colours that are not over or under saturated, improving your sense of depth, contouring and 3-dimensionality.

ZELA luminaires have very even light distribution across all beam angles, and restrained, soft, feathered edges with minimal light spill.

The ZELA range comprises 8 luminaire designs each with options of 9°, 15°, 20°, 40°, 55° and 90° beam angles. These are all available in 2700K, 3000K and 4000K; most beam angles are also available in 2400K. 40° and 55° beam angles are also available in sunset dimming (3000K-1850K).



SLDL221T



-   
Tilt Angle  
15°
-   
Size  
98x71mm
-   
Cut-out  
89mm
-   
Min hole depth  
76mm
-   
IP65  
(front face)

#### Diffuser options:



**SLDL224T**  
Lens diffuser  
Beam 9° 15° 20°  
Spot lighting



**SLDL221T**  
Prismatic diffuser  
Beam 40° 55°  
General lighting



**SLDL220T**  
Clear glass  
Beam 40° 55°  
Task lighting



**SLDL223T**  
Opaque diffuser  
Beam 90°  
Wide angle lighting

#### CCT options:

2400K 2700K 3000K 4000K  
2400K is available in 20°, 40°, 55° and 90°.

Sunset dimming 3000K-1850K  
Sunset dimming is available in 40° and 55°.

#### Trim options:



Textured white



Textured black





ZELA look-up table

CCT	Driver Power*		SLDL224T				SLDL221T				SLDL220T				SLDL223T			
			9° Lens		15° Lens		20° Lens		40° Prismatic		55° Prismatic		40° Clear		55° Clear		90° Opaque	
			CRI	Lm	CRI	Lm	CRI	Lm	CRI	Lm	CRI	Lm	CRI	Lm	CRI	Lm	CRI	Lm
2400K	4.3W / 100mA	ICF	-	-	-	-	90	350	90	370	90	370	90	370	90	370	90	280
	6.4W / 150mA	ICF	-	-	-	-	90	490	90	530	90	530	90	530	90	530	90	410
	7.7W / 180mA	ICF	-	-	-	-	90	570	90	620	90	620	90	620	90	620	90	470
	9.4W / 220mA	ICF	-	-	-	-	90	670	90	730	90	730	90	730	90	730	90	550
	11.1W / 260mA	CA135	-	-	-	-	90	760	90	830	90	830	90	830	90	830	90	630
2700K	4.3W / 100mA	ICF	97	280	90	300	90	370	90	400	90	400	90	400	90	400	90	300
	6.4W / 150mA	ICF	97	390	90	430	90	530	90	570	90	570	90	570	90	570	90	430
	7.7W / 180mA	ICF	97	460	90	500	90	610	90	660	90	660	90	660	90	660	90	500
	9.4W / 220mA	ICF	-	-	90	580	90	720	90	780	90	780	90	780	90	780	90	590
	11.1W / 260mA	CA135	-	-	90	660	90	820	90	880	90	880	90	880	90	880	90	670
3000K	4.3W / 100mA	ICF	97	290	90	310	90	380	90	420	90	420	90	420	90	420	90	320
	6.4W / 150mA	ICF	97	410	90	440	90	550	90	590	90	590	90	590	90	590	90	450
	7.7W / 180mA	ICF	97	470	90	520	90	640	90	690	90	690	90	690	90	690	90	520
	9.4W / 220mA	ICF	-	-	90	610	90	750	90	810	90	810	90	810	90	810	90	610
	11.1W / 260mA	CA135	-	-	90	690	90	850	90	920	90	920	90	920	90	920	90	700
4000K	4.3W / 100mA	ICF	97	300	90	330	90	400	90	440	90	440	90	440	90	440	90	330
	6.4W / 150mA	ICF	97	430	90	470	90	570	90	620	90	620	90	620	90	620	90	470
	7.7W / 180mA	ICF	97	500	90	540	90	670	90	730	90	730	90	730	90	730	90	550
	9.4W / 220mA	ICF	-	-	90	640	90	790	90	850	90	850	90	850	90	850	90	650
	11.1W / 260mA	CA135	-	-	90	720	90	890	90	970	90	970	90	970	90	970	90	730
Sunset Dimming 3000K-1850K	6.4W / 150mA	ICF	-	-	-	-	-	-	90	480	90	460	90	480	90	460	-	-
	7.7W / 180mA	ICF	-	-	-	-	-	-	90	560	90	530	90	560	90	530	-	-
	9.4W / 220mA	ICF	-	-	-	-	-	-	90	660	90	620	90	660	90	620	-	-
	11.1W / 260mA	CA135	-	-	-	-	-	-	90	740	90	710	90	740	90	710	-	-

\*Watts quoted are for 20°-90° beam angles. Please check ies files at [www.switch-lighting.co.nz](http://www.switch-lighting.co.nz) for specific model watts for 9° and 15° beam angles.

Typically used for general lighting.

Contact Switch Lighting for all other output and driver options.

All ZELA luminaires are suitable for interior use only.

Please visit [www.switch-lighting.co.nz](http://www.switch-lighting.co.nz) for our Lux calculator.

Colour rendition:

Art series: 97 CRI | TM-30-15 R<sub>f</sub>95 | TM-30-15 R<sub>g</sub>101

Professional series: 90 CRI | TM-30-15 R<sub>f</sub>90 | TM-30-15 R<sub>g</sub>101

how to specify ZELA Deep Tilt

Please confirm model option availability from table above. Not every combination is compatible.

e.g. code = SLDL221T-5530P-TWD10

Model	Beam	CCT	CRI Pure Colour Series	Trim Colour	Driver	Market
SLDL224T = Lens SLDL221T = Prismatic SLDL220T = Clear glass SLDL223T = Opaque	09 = 9° 15 = 15° 20 = 20° 40 = 40° 55 = 55° 90 = 90°	24 = 2400K 27 = 2700K 30 = 3000K 40 = 4000K SD = Sunset Dimming	P = Professional (90 CRI) A = Art (97CRI)	TW = Textured white TB = Textured black	D08 = SL102D (100mA, 4.3W) D09 = SL152D (150mA, 6.4W) D15 = SL182D (180mA, 7.7W) D10 = SL222D (220mA, 9.4W) D11 = SL262D (260mA, 11.1W)	○ = NZ 1 = Aust

