

enhancing environments through lighting

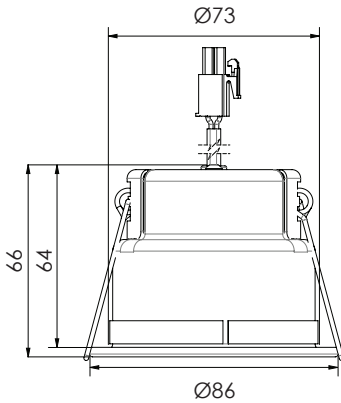
ZELA Fire Rated Deep Fixed

delivering optical clarity and beam control in beautiful forms

The light from ZELA luminaires reveal natural colours that are not over or under saturated, improving your sense of depth, contouring and 3-dimensionality.

ZELA luminaires have very even light distribution across all beam angles, and restrained, soft, feathered edges with minimal light spill.

The ZELA range comprises 8 luminaire designs each with options of 9°, 15°, 20°, 40°, 55° and 90° beam angles. These are all available in 2700K, 3000K and 4000K; most beam angles are also available in 2400K. 40° and 55° beam angles are also available in sunset dimming (3000K-1850K).



SLDF271F

- 
Size
86x64mm
- 
Cut-out
73mm
- 
Min cavity depth
190mm*
- 
IP65
(front face)

*Fire Rated downlights must not be installed into a cavity of less than 190mm as tested to AS 1530.4:2014

Diffuser options:



SLDF274F
Lens diffuser
Beam 9° 15° 20°
Spot lighting



SLDF271F
Prismatic diffuser
Beam 40° 55°
General lighting



SLDF270F
Clear glass
Beam 40° 55°
Task lighting



SLDF273F
Opaque diffuser
Beam 90°
Wide angle lighting

CCT options:

2400K 2700K 3000K 4000K
2400K is available in 20°, 40°, 55° and 90°.

Sunset dimming 3000K-1850K
Sunset dimming is available in 40° and 55°.

Trim options:



Textured white



Textured black



**ZELA | Fire Rated
Deep Fixed | NZ**



ZELA look-up table

CCT	Driver Power*		SLDF274F				SLDF271F				SLDF270F				SLDF273F			
			9° Lens		15° Lens		20° Lens		40° Prismatic		55° Prismatic		40° Clear		55° Clear		90° Opaque	
			CRI	Lm	CRI	Lm	CRI	Lm	CRI	Lm	CRI	Lm	CRI	Lm	CRI	Lm	CRI	Lm
2400K	4.3W / 100mA	ICF	-	-	-	-	90	350	90	370	90	370	90	370	90	370	90	300
	6.4W / 150mA	ICF	-	-	-	-	90	500	90	530	90	530	90	530	90	530	90	430
	7.7W / 180mA	ICF	-	-	-	-	90	580	90	620	90	620	90	620	90	620	90	500
	9.4W / 220mA	ICF	-	-	-	-	90	680	90	730	90	730	90	730	90	730	90	580
	11.1W / 260mA	CA135	-	-	-	-	90	770	90	830	90	830	90	830	90	830	90	660
2700K	4.3W / 100mA	ICF	97	280	90	290	90	370	90	400	90	400	90	400	90	400	90	320
	6.4W / 150mA	ICF	97	390	90	410	90	530	90	570	90	570	90	570	90	570	90	460
	7.7W / 180mA	ICF	97	460	90	480	90	620	90	660	90	660	90	660	90	660	90	530
	9.4W / 220mA	ICF	97	560	90	560	90	730	90	780	90	780	90	780	90	780	90	620
	11.1W / 260mA	CA135	97	640	90	640	90	830	90	880	90	880	90	880	90	880	90	710
3000K	4.3W / 100mA	ICF	97	290	90	300	90	390	90	420	90	420	90	420	90	420	90	330
	6.4W / 150mA	ICF	97	410	90	430	90	550	90	590	90	590	90	590	90	590	90	470
	7.7W / 180mA	ICF	97	470	90	500	90	650	90	690	90	690	90	690	90	690	90	550
	9.4W / 220mA	ICF	97	590	90	590	90	760	90	810	90	810	90	810	90	810	90	650
	11.1W / 260mA	CA135	97	660	90	660	90	860	90	920	90	920	90	920	90	920	90	740
4000K	4.3W / 100mA	ICF	97	300	90	320	90	410	90	440	90	440	90	440	90	440	90	350
	6.4W / 150mA	ICF	97	430	90	450	90	580	90	620	90	620	90	620	90	620	90	500
	7.7W / 180mA	ICF	97	500	90	520	90	680	90	730	90	730	90	730	90	730	90	580
	9.4W / 220mA	ICF	97	620	90	620	90	800	90	850	90	850	90	850	90	850	90	680
	11.1W / 260mA	CA135	97	700	90	700	90	900	90	970	90	970	90	970	90	970	90	770
Sunset Dimming 3000K-1850K	6.4W / 150mA	ICF	-	-	-	-	-	-	90	480	90	460	90	480	90	460	-	-
	7.7W / 180mA	ICF	-	-	-	-	-	-	90	560	90	530	90	560	90	530	-	-
	9.4W / 220mA	ICF	-	-	-	-	-	-	90	660	90	620	90	660	90	620	-	-
	11.1W / 260mA	CA135	-	-	-	-	-	-	90	740	90	710	90	740	90	710	-	-

*Watts quoted are for 20°-90° beam angles. Please check ies files at www.switch-lighting.co.nz for specific model watts for 9° and 15° beam angles.

Typically used for general lighting.

Contact Switch Lighting for all other output and driver options.
All ZELA luminaires are suitable for interior use only.
Please visit www.switch-lighting.co.nz for our Lux calculator.

Colour rendition:

Art series: 97 CRI | TM-30-15 R_f-95 | TM-30-15 R_g-101
Professional series: 90 CRI | TM-30-15 R_f-90 | TM-30-15 R_g-101

how to specify ZELA Fire Rated Deep Fixed

Please confirm model option availability from table above. Not every combination is compatible.

e.g. code = SLDF271F-5530P-TWD10

Model	Beam	CCT	CRI Pure Colour Series	Trim Colour	Driver	Market
SLDF274F = Lens SLDF271F = Prismatic SLDF270F = Clear glass SLDF273F = Opaque	09 = 9° 15 = 15° 20 = 20° 40 = 40° 55 = 55° 90 = 90°	24 = 2400K 27 = 2700K 30 = 3000K 40 = 4000K SD = Sunset Dimming	P = Professional (90 CRI) A = Art (97CRI)	TW = Textured white TB = Textured black	D08 = SL102D (100mA, 4.3W) D09 = SL152D (150mA, 6.4W) D15 = SL182D (180mA, 7.7W) D10 = SL222D (220mA, 9.4W) D11 = SL262D (260mA, 11.1W)	○ = NZ 1 = Aust

